

ExiSAFE Emergency Devices

CE854EL

ExiSAFE Emergency Latch



ASSA ABLOY

Application:

A push pad surface mounted emergency latch device for use on single doors or as a part of a double door solution.

- Ideal for final exit escape doors where all users are familiar with building and hardware
- Install to push face of outward opening doors
- Non-handed for maximum flexibility
- Compatible with knob and lever CE855OAD outside access devices

Specification:

- Proud to be "Made in Britain"
- CE Marked to EN 179
- Certifire approved
- Can be used on timber fire doors (up to FD120) or metal fire doors up to (FD240) up to 1200mm x 2440mm tall
- Compact push pad is discrete – a tidier option for where users are familiar with the building
- Latch bolt can easily be reversed on site
- Alternative keeps and range of spares available
- Complete with "Push" signage
- Install screws concealed by UNION branded label and push pad
- Completed 200,000 cycles in durability testing
- 96 hours corrosion resistance
- Slim line design projects less than 100mm from door face
- 10 year guarantee

Finish:

- Silver as standard
- Potential to supply other colours – please ask for details of range and MOQ



Standards:

CE Marked to BS EN 179

3	7	6	B	1	3	4	2	B	A
---	---	---	---	---	---	---	---	---	---



ExiSAFE Emergency Devices

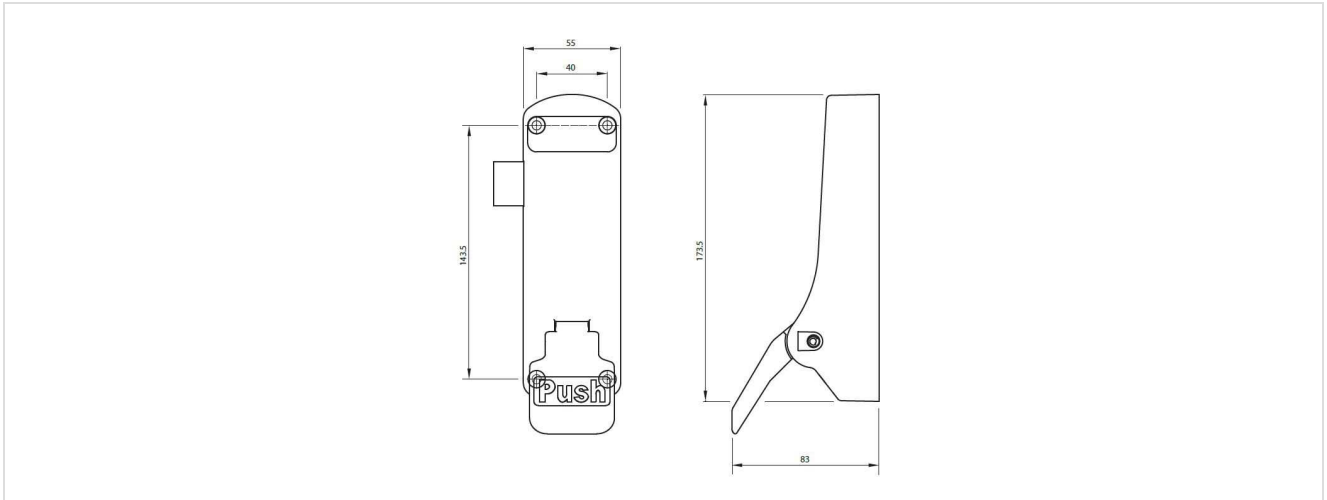
CE854EL

ExiSAFE Emergency Latch



ASSA ABLOY

Technical Design:



Variants:

Code	Description
J-CE854EL-SIL	EXISAFE EMERGENCY LATCH DEVICE, SILVER FINISH
J-CE854ELM-SIL	EXISAFE EMERGENCY LATCH DEVICE, METAL FIXINGS, SILVER FINISH